

OWNERS MANUAL

Jamo R 909

english

CONTENTS

Introduction	6
Placement	7
Listening position	8
Spikes	9
Connecting	10
Front and back fabric covers	11
Cleaning	12
Specifications	12
The scope of the warranty	13

INTRODUCTION

Welcome to the exclusive circle of Jamo R 909 owners! This manual will give you a quick overview of how to set up your speakers in your room. For more in-depth information about the technologies please refer to the R 909 technical description.

The first word of advice. After setting up your R 909s for the first time, please allow yourself a couple of days to listen to them before you start fine-tuning the sound. This will serve two purposes. Firstly, you will get a sense of what these speakers sound like. Secondly, it will give time for the speakers to run in: the tonal quality of this design changes slightly after the first couple days of playing music.

Please remember the guidelines in this manual are only recommendations. There are no hard and fast rules about setting up a pair of speakers as unique as these. When you get down to fine-tuning their performance in your room don't be afraid of experimenting: any speaker will sound different when moved a few inches. Feel free to change the speakers' positions and move them around the room to determine your best listening position and sound.

Always rely on your own judgement to determine what sounds best. We do...

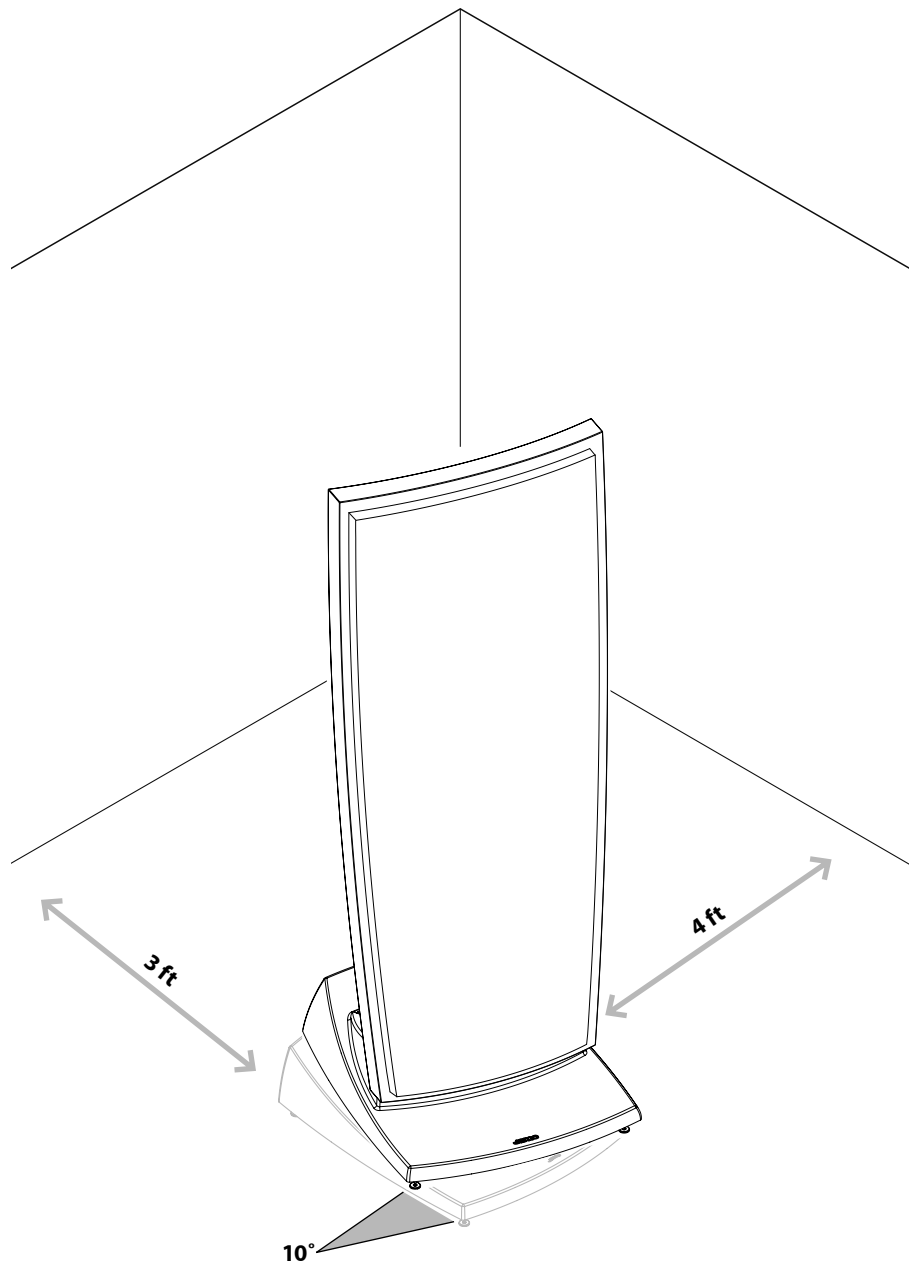
Enjoy!

PLACEMENT

As a starting point, we suggest you initially position the R 909s 3 feet from the back wall and 4 feet from the side wall.

Angling the speakers 10 degrees to the back wall will reflect the generated sound off your back and side walls, which will give you the acoustic impression of a much larger room.

Also remember that a dipole speaker emits virtually no sound from the side. You can take advantage of this trait to cancel reflections from the side wall by varying the toe-in angle.



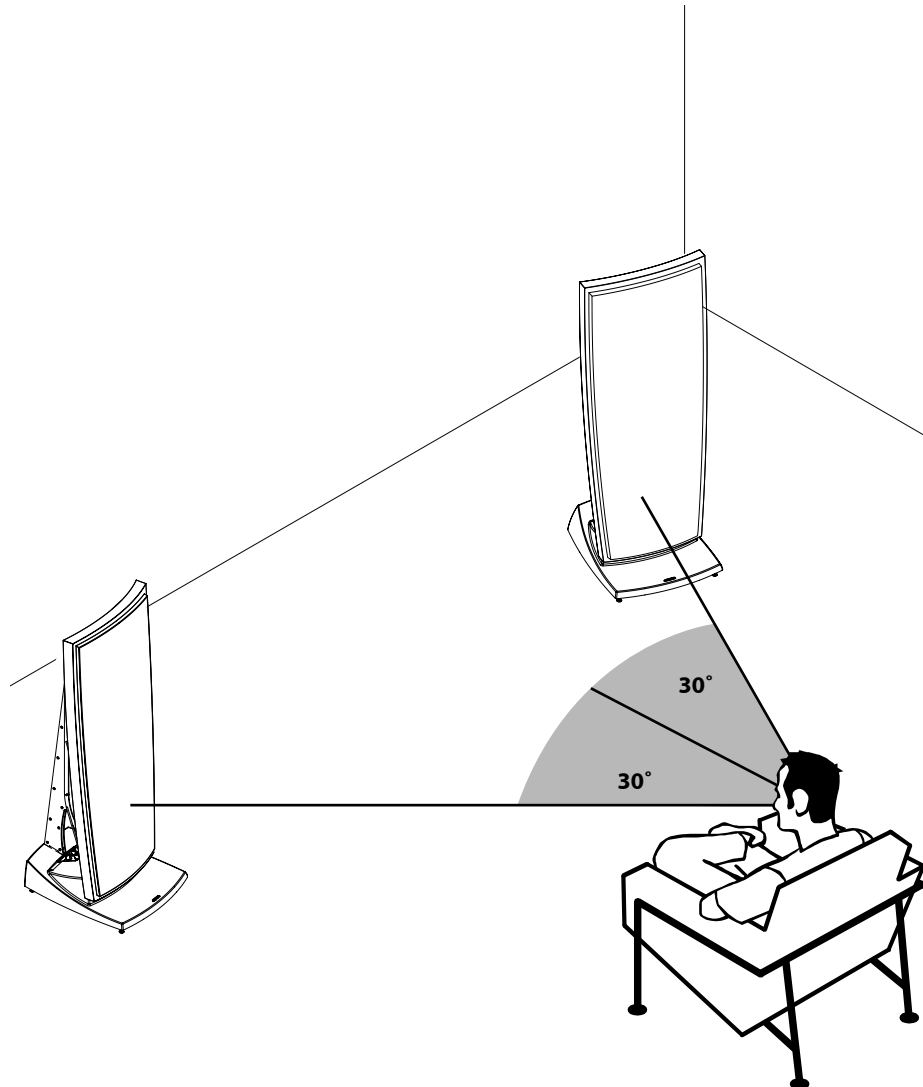
LISTENING POSITION

To find the best listening position, place yourself at a 30 degree angle from each speaker. Doing so means that you will be seated at about the same distance away from the speakers as the actual gap between them. The benefit of this is that the direct radiating sounds from each speaker will cross each other at a point behind you.

IF YOUR ROOM...

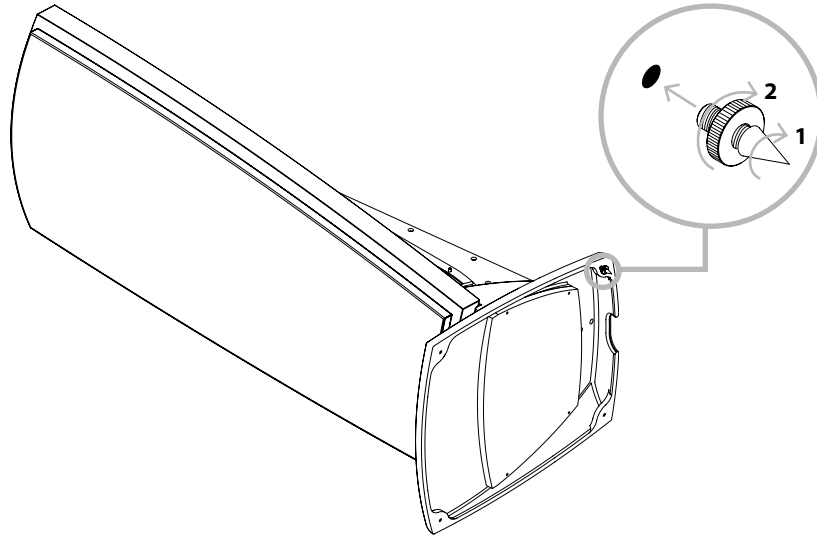
- a) doesn't allow you to get the speakers the required distance from the back and side walls or...
- b) has highly reflective surfaces (ie. glass windows or bare plastered walls) or...
- c) still doesn't sound quite right

...we strongly recommend that you damp your room's critical surfaces. This can be done by the simple expedient of adding curtains, furniture, bookshelves and so on. A damped surface is almost always preferable to a hard reflective surface.



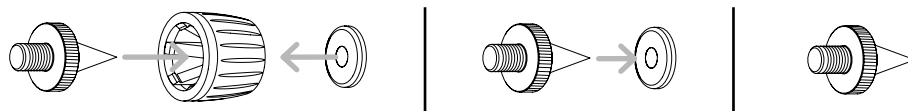
SPIKES

After the initial placement of the speakers it's now time to screw in the spikes. Because of the weight of the R 909, we recommend that you gently lay it on one side and screw in all four spikes together. Before you do this, however, be sure to place a couple of thick towels or similar underneath the side of the speaker. This will prevent accidental scratching to the surface of the R 909 and, equally importantly, will avoid you putting a rather large dent in your floor.



After screwing in the spikes, we recommend you fit them with the hard rubber feet and the indented metal washers we've supplied. These will spare the floor from damage and allow you to gently bring the speaker to its vertical position. Once upright simply adjust the spikes to give optimal support.

Floor surfaces vary considerably so we have given you 3 different choices when it comes to spiking options. You can keep the hard rubber feet on the spikes, rest the spikes on the four indented metal washers, or place the spikes directly onto the floor. Always choose the option that gives the most stability for your speakers in your domestic environment.



Using the spikes without the hard rubber feet or indented metal washers will give the very best support and sound quality. If you want to spare your floor surface from being punctured however, the rubber feet or indented metal washers are a good compromise. Sonically, there's really very little difference between them - use whichever one suits your floor surface better.

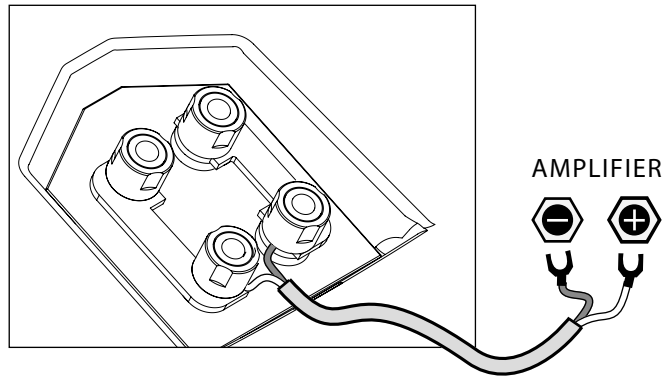
A warning: be careful when using the spikes with the indented metal washers - you don't want to get your finger trapped between the two!

Whichever spiking option you choose, avoid "walking" the speakers if you need to move them to a different position... especially on hard wood floors!

CONNECTING

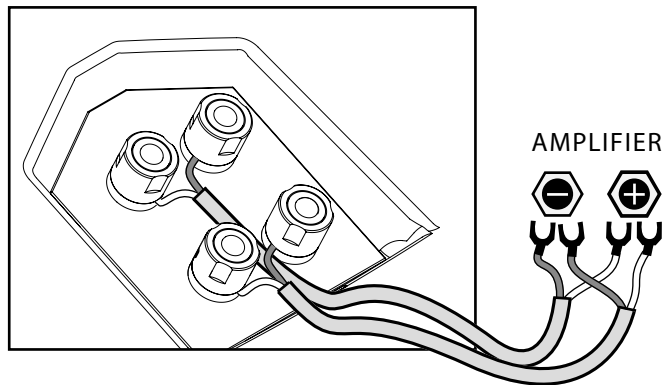
SINGLE-WIRING

For single-wire connections, the terminal jumpers should be attached as shown in the illustration.



BI-WIRING

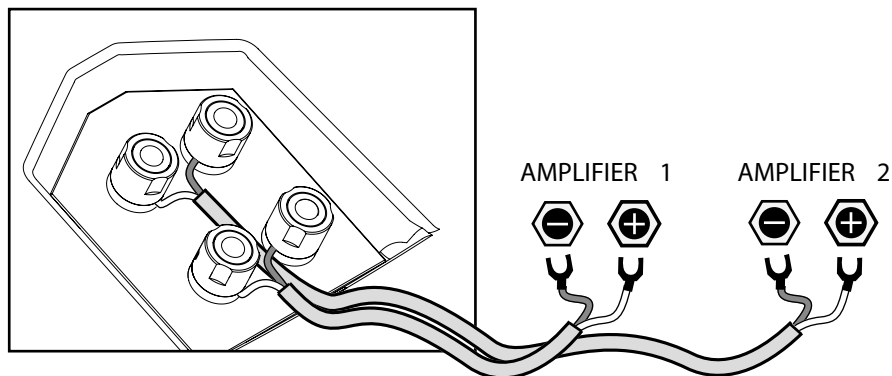
If you'd like to use a bi-wiring arrangement, make sure you remove all the terminal jumpers before you connect up your loudspeaker cables.



BI-AMPING

In a bi-amped system, make sure you remove the terminal jumpers before connecting up your cables. The top pair of terminals drive the tweeter while the pair underneath drive the bass and midrange units.

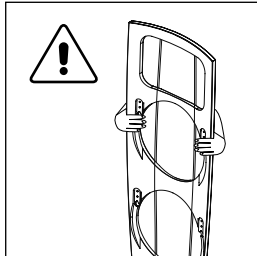
If you choose this option, we recommend you use identical amplifiers for both terminals.



FRONT AND BACK FABRIC COVERS

The front fabric covers have been designed to have minimal influence on the sound quality. However, for critical listening we would advocate that you remove them.

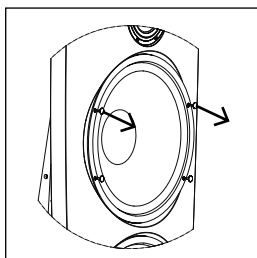
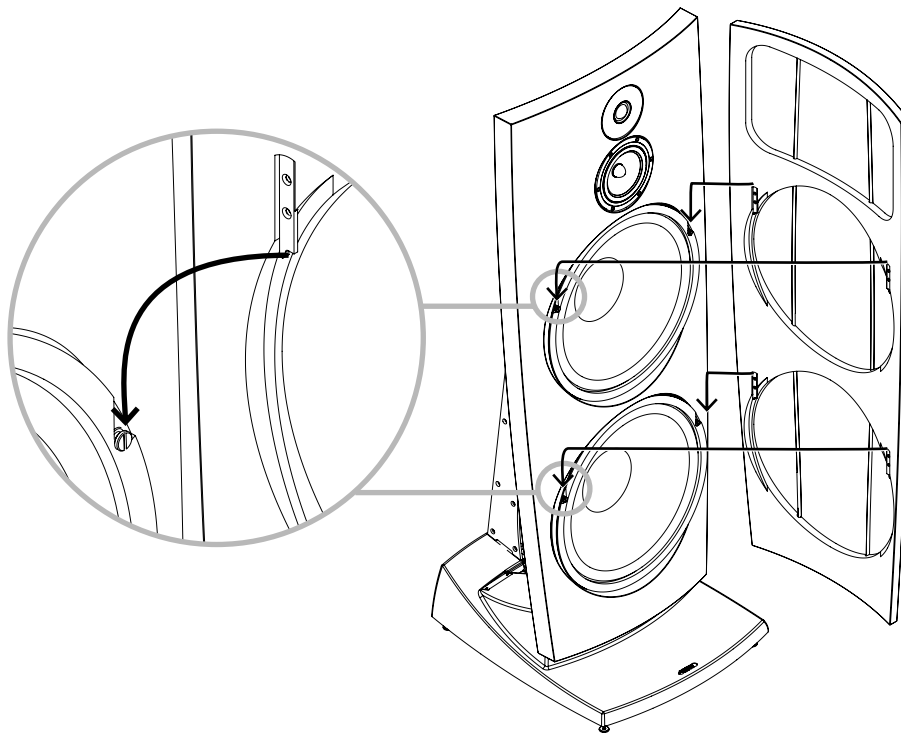
The rear fabric covers have no influence on the sound quality. It's entirely up to you and your aesthetic preference whether you have them on or not.



When removing and putting on the front and back covers, however, make sure you do so gently, in order to prevent scratching or marking.

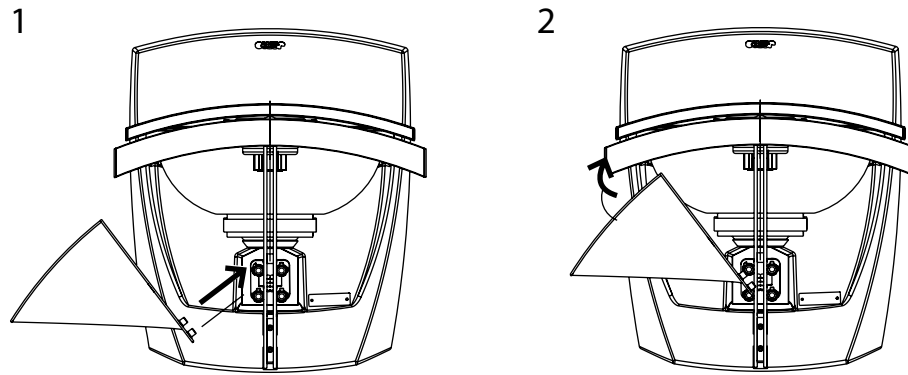
◀ We recommend placing your hands level with the two top hooks on the front cover when lifting it, for optimal balance.

Please note that the front fabric cover, like the speaker itself, isn't of conventional design. When putting the cover on, make sure all four metal hooks on its frame are resting securely on all four screws. If not placed correctly, it could fall off and perhaps even be damaged.



If you choose to remove the front cover for longer periods of time, the four screws onto which you mount the cover can be unscrewed, for a more attractive aesthetic appearance.

It's also worth noting that the rear fabric cover is mainly held in place by magnets. When mounting it make sure that you gently push the two fabric cover holders into the corresponding brace holes.



CLEANING

Please use a dust-free cloth to clean the R 909. It is also possible to use a slightly damp cloth for more stubborn marks.

Under no circumstances should you use any kind of cleaning agent on, or in close proximity to, these speakers.

SPECIFICATIONS

Type.....	R 909
System.....	3-way dipole
Woofers (ln / mm).....	2 x 15 / 2 x 380
Midrange (ln / mm).....	5½ / 150
Tweeter (ln / mm).....	1 / 25
Short term power (W).....	Min 800
Sensitivity (dB/2.8v@1 m).....	89
Frequency range (Hz).....	25 - 30.000
Impedance (Ohm).....	4
Crossover frequencies (Hz).....	250 and 2.000
Weight (Kg / lbs).....	63.1 / 139.1
Dimensions (HxWxD mm / in).....	1276 x 488 x 541 50.2 x 19.2 x 21.3

THE SCOPE OF THE WARRANTY

The warranty period will come into force as from the purchase date stated on the invoice. The warranty will apply for the following period of time:

- **7 years**

In case of warranty inquiries, please contact your dealer.

In case of request for service under warranty, please enclose your original receipt.

Defects covered by the warranty:

Except for the defects stated below, the warranty covers any production and material defects of the product.

Defects not covered by the warranty:

- Defects arising from accidents, misuse, normal wear and tear, mis-maintenance, voltage variation, overloading, stroke of lightning, and other force majeure events
- Defects arising from incorrect installation or operation
- Defects arising from modification/repair/attempt of repair by a non-authorized service centre
- Defects arising from the use of non-original spare parts
- Defects on products with altered or lacking series number
- Other defects due to conditions or circumstances beyond the supplier's control

Transportation costs for servicing are not covered by the warranty.

The supplier is liable only to repair or replace defective parts or products and the supplier is not responsible for indirect losses or damages arising from the use of the product. A replacement cannot exceed the value of the product under warranty.

To the extent that the enclosed conditions, including the limitation of liabilities, are inconsistent with indispensable regulations in the customer's country of residence, the latter shall have precedence.

www.jamo.com

